



Phoenix, Height Adjustable Shower Chair

Hygiene Equipment
Designed for People

Phoenix, Height Adjustable

Multifunction Shower Chair, height adjustment with either electric or hydraulic option. Polyamide nylon construction with stainless steel fasteners guarantees no rust.



Registered at Medical Products Agency, Germany, as a MD Class 1 product, MDR 2017/745.

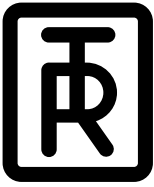
TR reserves the right to make design changes and/or improvements without notice.



Reclining and height adjustable shower chair. Soft and durable polyurethane seat, backrest and leg support allows for comfortable positioning and easy cleaning. Hygiene bucket with vacuum seal top included.



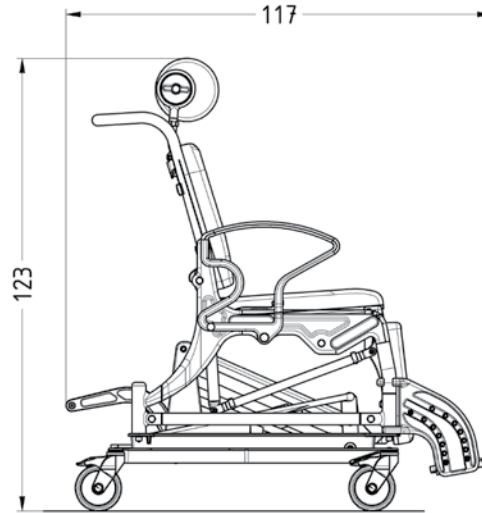
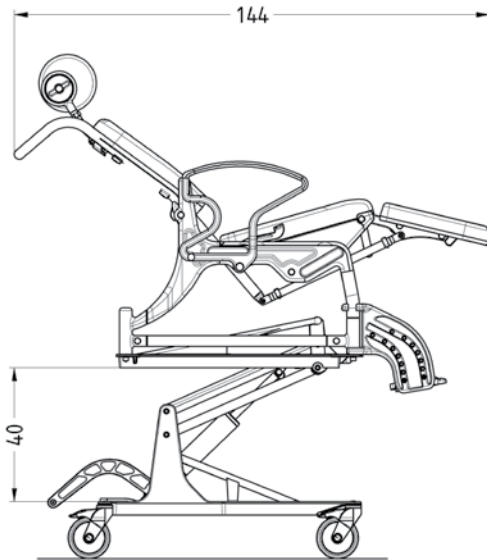
TR EQUIPMENT



Phoenix, Height Adjustable Shower Chair

Hygiene Equipment
Designed for People

Dimensions (cm)



Technical specifications

Dimensions	Phoenix electrical	Phoenix hydraulic
Width	68 cm/27"	68 cm/27"
Depth	112 cm/44"	117 cm/46"
Seat height	59 - 100 cm/23" - 39"	59 - 100 cm/23" - 39"
Seat width	54 cm/21"	54 cm/21"
Seat depth	43 cm/17"	43 cm/17"
Body weight max.	150 kg/330 lbs	150 kg/330 lbs
Product weight	53 kg/116 lbs	52 kg/114 lbs

Equipment

- Height adjustable, hydraulic or electric
- Adjustable PUR headrest
- Tilting adjustment
- Swinging armrests enable easy side transfer
- Soft PUR seat, back & leg support.
- 5" hospital grade swiveling and locking casters for secure transfers
- Height adjustable & removable footrests
- Seat with hygiene opening
- Approved up to 330 lbs body weight
- Five year warranty on frame for long lasting confidence
- Hygiene bucket with vacuum seal top included

Accessories

- | | |
|------------------------------------|-----------|
| • Safety Belt, leg belt | 322.30.10 |
| • Safety Belt, for chest and waist | 322.30.20 |
| • Belt Comfort Pad | 322.10.50 |
| • Comfort headrest | 450.10.59 |
| • Arm rest | 440.10.32 |
| • Splash-Protection | 440.10.40 |
| • IV Pole | 440.00.93 |

Art no

Head office
TR Equipment AB, Sweden
Phone: +46 140 38 50 60
info@trequipment.se
www.trequipment.com

TR Group Inc
130 North Madison Street
Rockford, IL61107, USA
Phone: +1 (800) 752 6900
Email: information@trequipment.com
www.trequipment.com



TR EQUIPMENT