



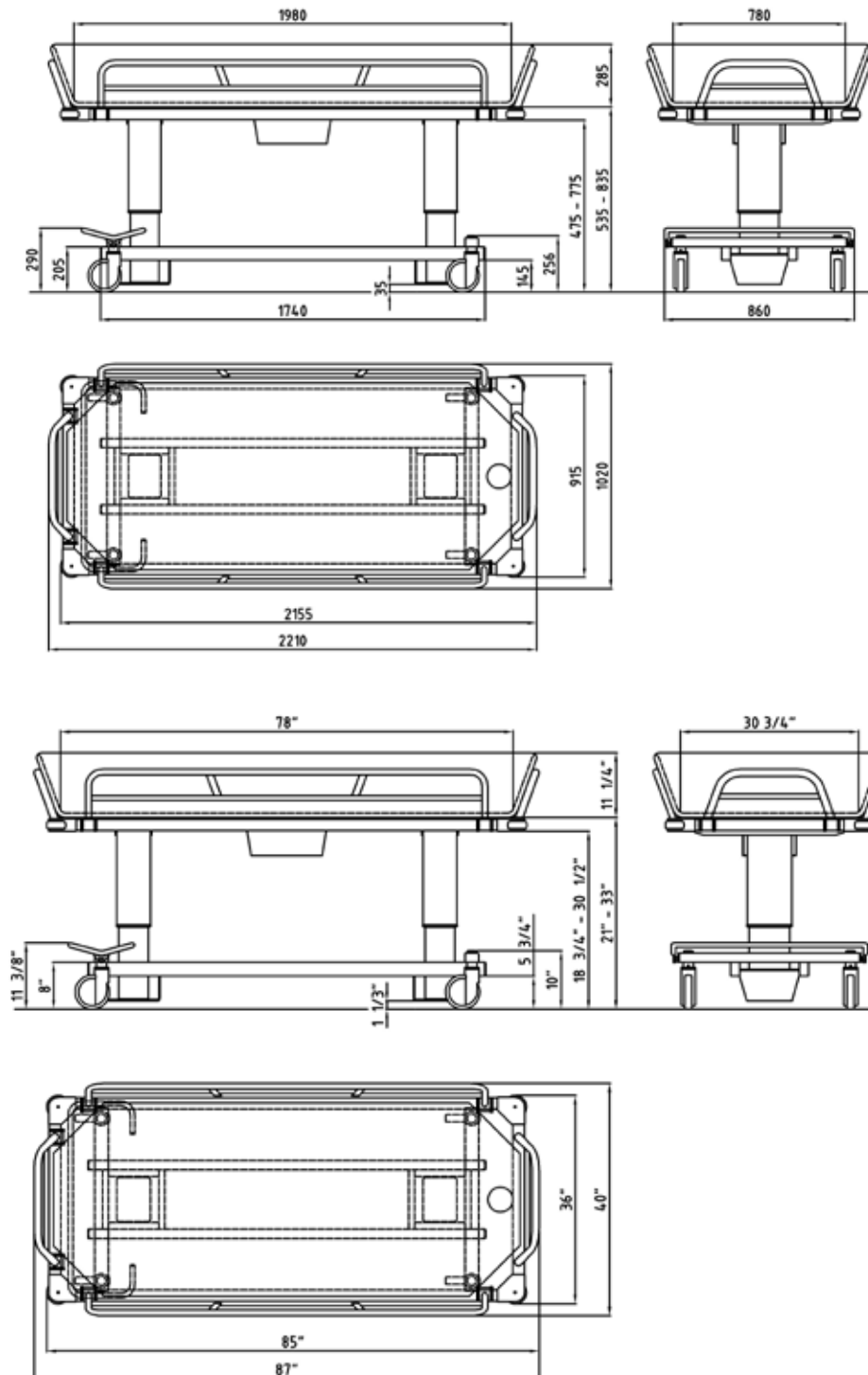
# TR 4000 Atlas

## Bariatric Shower Trolleys

Hygiene Equipment  
Designed for People



### Product measurements



**Head office**  
TR Equipment AB, Sweden  
Phone: +46 140 38 50 60  
info@trequipment.se  
[www.trequipment.com](http://www.trequipment.com)

**Group Subsidiaries**  
TR Group Inc, US, Phone: +1 (800) 752 6900  
TR Equipment Ltd, UK, Phone: +44 (0) 844 335 8386  
TRanspoRehaMed GmbH, Germany, Phone: +49 (0) 212 645850-0



**TR EQUIPMENT**